

Prime-Tec Series 400 Horizontal Slider
 Single Slide Series 300 Available
 Typical Exterior Elevation
 (Muntin Configuration and Glazing Type Optional)

400 Horizontal Slider -- Subframe Installation

DWN BY
 JDD
 CK'd by

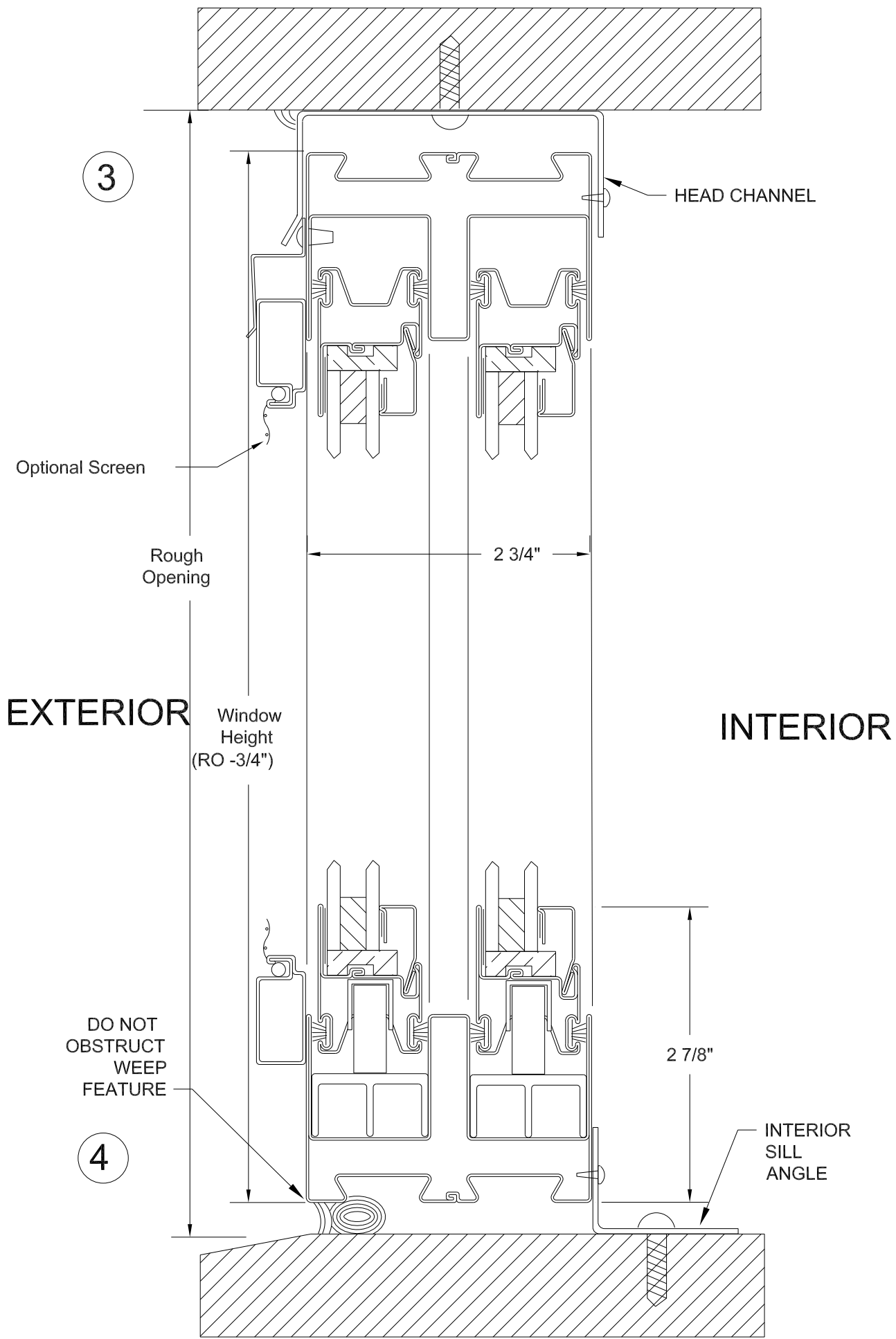


P.O. Box 278, 701 Centennial Road
 Wayne, NE 68787

TOLERANCE:
 1. Fractions $\pm 1/16$
 2. Decimals $\pm .0625$
 3. Angles $\pm 1/2$ degree
 Except as Noted

MAT'L SCALE 1:8

PAGE DWG No.



Prime-Tec Series 300 - 400 Horizontal Slider Typical Head/Sill Section

Head/Sill -- Subframe Installation

DWN BY
JDD
CK'd by



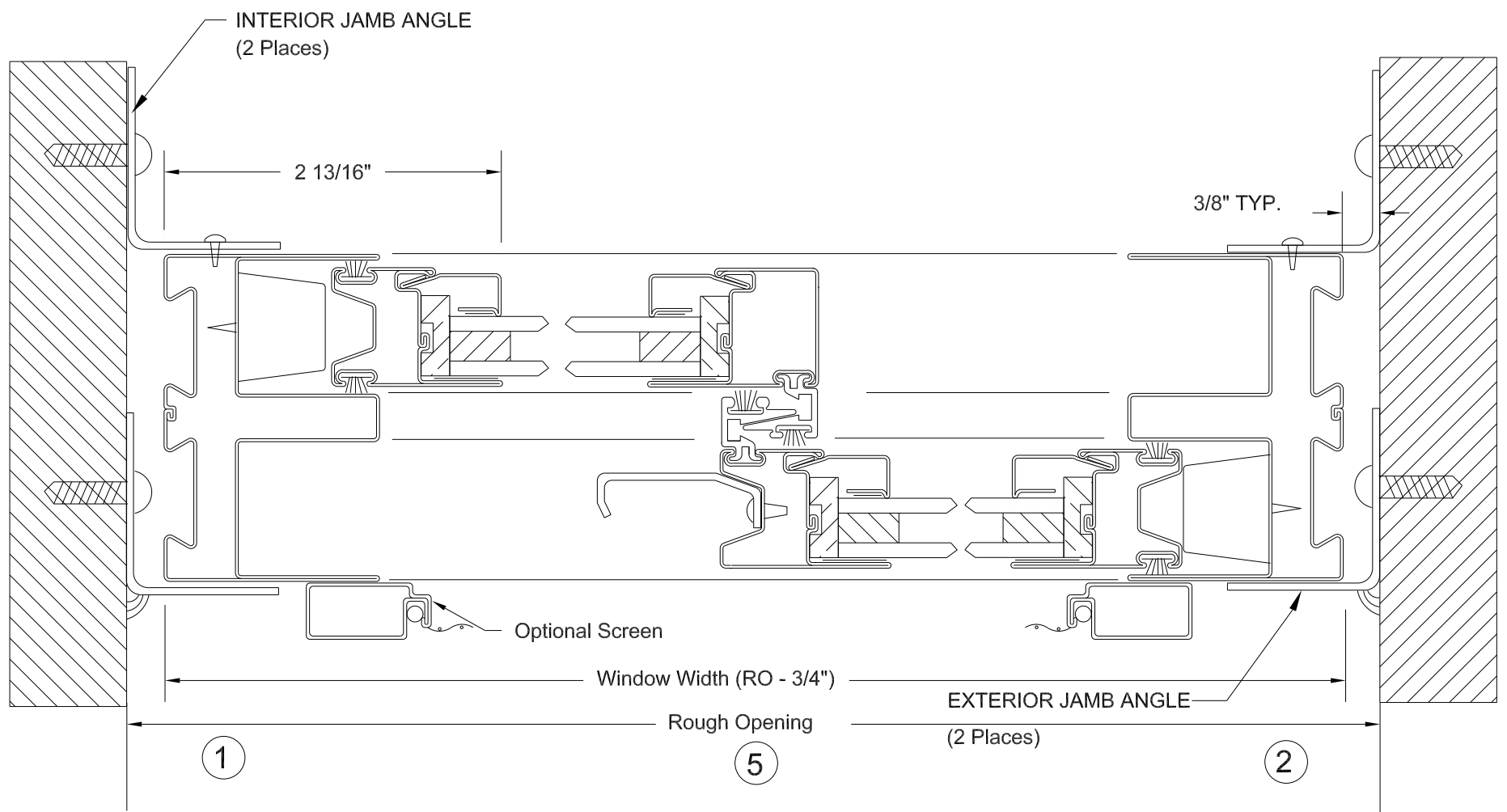
P.O. Box 278, 701 Centennial Road
Wayne, NE 68787

TOLERANCE:
1. Fractions $\pm 1/16$
2. Decimals $\pm .0625$
3. Angles $\pm 1/2$ degree
Except as Noted

MATL

SCALE 1:1.5

PAGE DWG No.



Prime-Tec Series 300 - 400 Horizontal Slider Typical Jamb Section

Jamb- Subframe Installation Kit

DWN BY
JDD
CK'd by



P.O. Box 278, 701 Centennial Road
Wayne, NE 68787

TOLERANCE:

1. Fractions $\pm 1/16$
 2. Decimals $\pm .0625$
 3. Angles $\pm 1/2$ degree
- Except as Noted

MAT'L

SCALE

1:1.5

PAGE

DWG No.